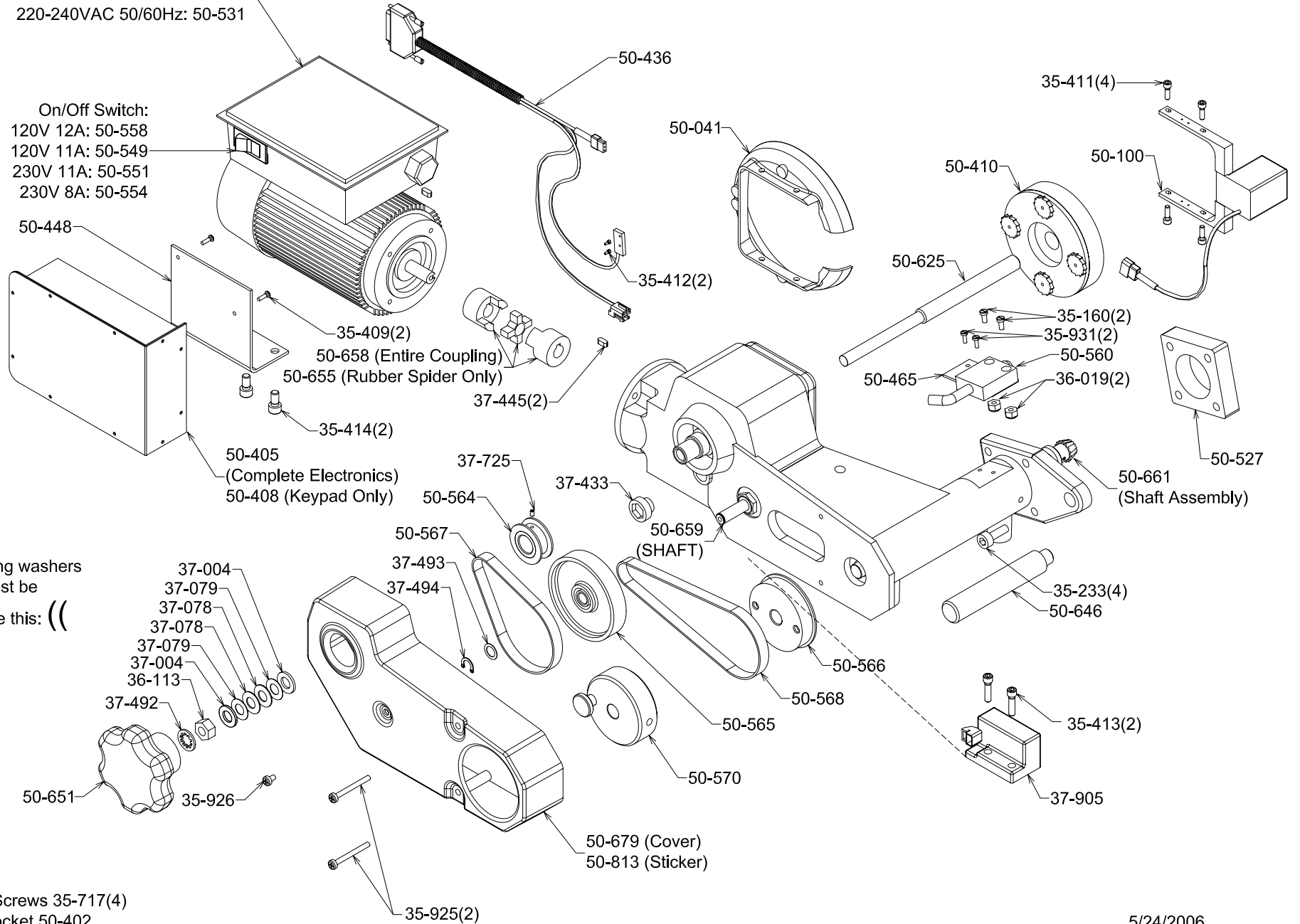


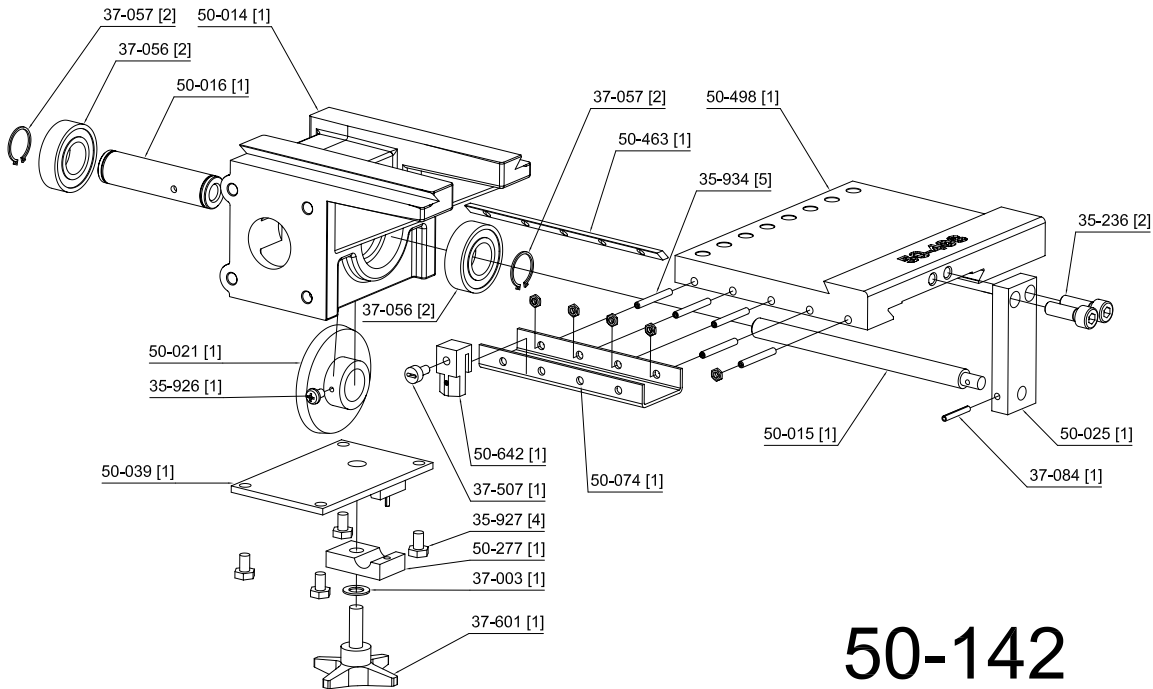
Motors:
 100-120VAC 50/60Hz: 50-539
 220-240VAC 50/60Hz: 50-531

On/Off Switch:
 120V 12A: 50-558
 120V 11A: 50-549
 230V 11A: 50-551
 230V 8A: 50-554



Note: Spring washers
 37-078 must be
 cupped like this: ((

Not Shown:
 Motor Mount Screws 35-717(4)
 Power Inlet Socket 50-402
 Power Cord Retaining Bracket: 37-628

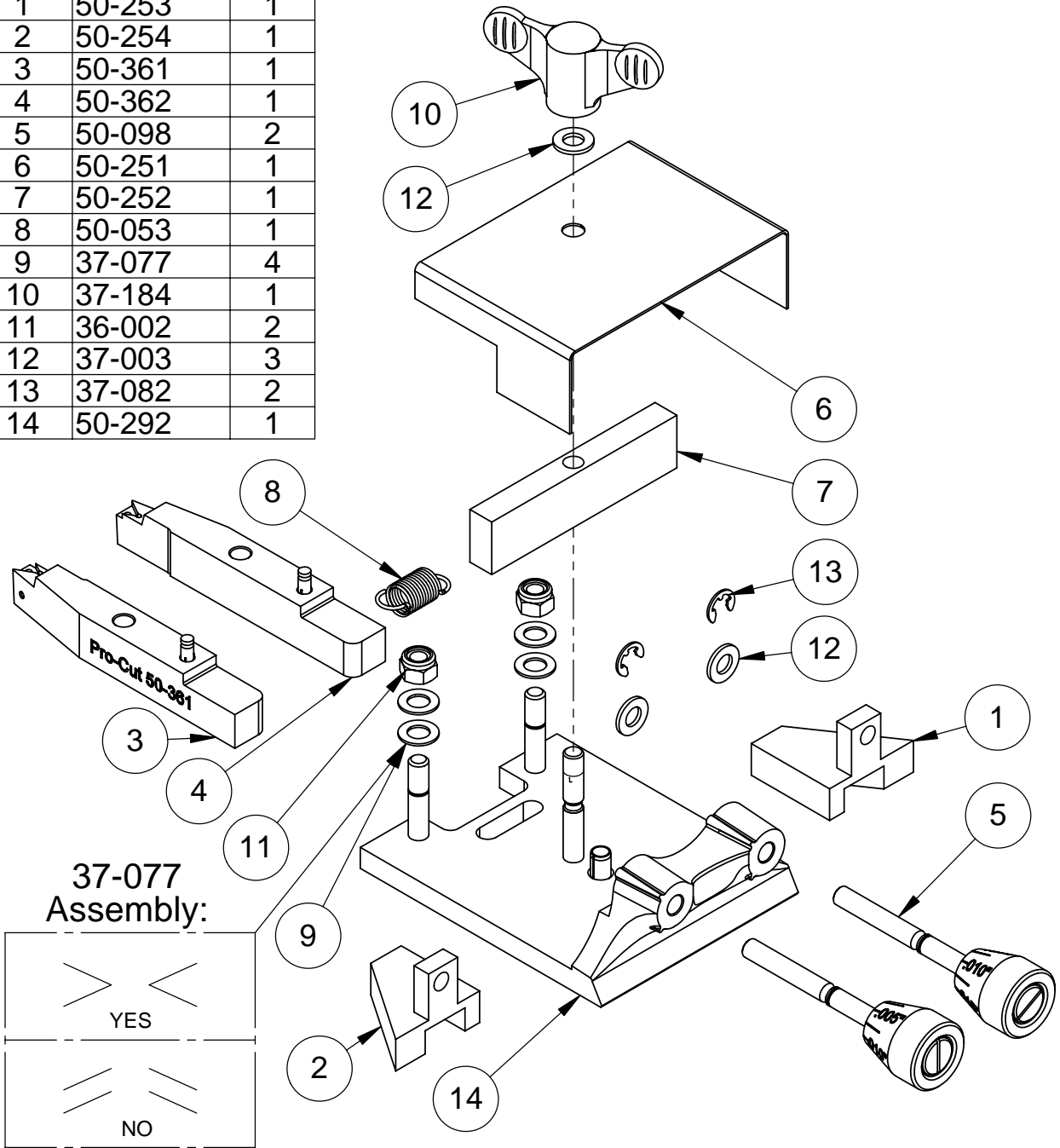


50-142

(part # [quantity])

ITEM NO.	PART NUMBER	QTY.
1	50-253	1
2	50-254	1
3	50-361	1
4	50-362	1
5	50-098	2
6	50-251	1
7	50-252	1
8	50-053	1
9	37-077	4
10	37-184	1
11	36-002	2
12	37-003	3
13	37-082	2
14	50-292	1

50-238 Rev. 2 Exploded View



1/30/2007